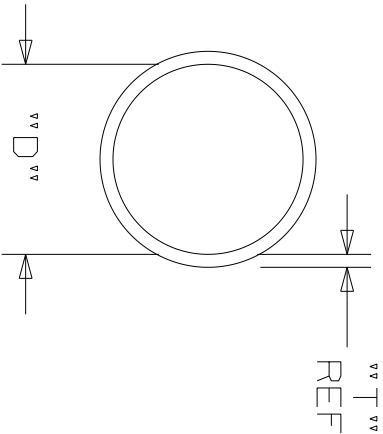


THIS COPY IS PROVIDED ON A RESTRICTED BASIS AND IS NOT TO BE USED IN ANY WAY DETRIMENTAL TO THE INTERESTS OF PANDUIT CORP.



PANDUIT PART NUMBER CLEAR	"D"	"D'"	"T" (MIN.) WALL THICKNESS	WEIGHT lbs/1000ft (91/30m)	VOL'T AGE RATING
TV105-.38---D---	1.0.	.399 - .375 (10.13) - (9.53)	.025 (.64)	1.8 (725)	600
TV105-.50---D---		.524 - .500 (13.30) - (12.70)	.025 (.64)	2.2 (998)	600
TV105-.75---TL---		.786 - .750 (19.96) - (19.05)	.035 (.89)	.045 (2041)	600
TV105-1.0---C---		1.036 - 1.000 (26.31) - (25.4)	.035 (.89)	6.1 (2766)	600
TV105-1---M---		.311 - .289 (7.89) - (7.34)	.020 (.51)	1.0 (435)	300
TV105-3---M---		.249 - (.229) (6.32) - (5.82)	.020 (.51)	0.8 (362)	300
TV105-6---M---		.178 - .162 (4.52) - (4.11)	.020 (.51)	0.5 (226)	300
TV105-12---M---		.089 - .081 (2.26) - (2.06)	.016 (.41)	0.2 (90)	300



DIMENSIONS IN BRACKETS ARE METRIC [ mm ]

CAD FILENAME/LAYERS G03597BZ-DC-GB0239LV/00C

**PANDUIT** CORP. TINLEY PARK, ILLINOIS  
PVC TUBING, TV105  
AUTOMOTIVE

UNLESS OTHERWISE SPECIFIED,  
DIMENSIONAL TOLERANCES ARE:  
(.X) ±0.05 (1.3) (.XXX) ±0.010 (0.251)  
(.XX) ±0.02 (0.51) ANGLES ± 5°

UNLESS OTHERWISE SPECIFIED,  
ALL DIMENSIONS ARE GIVEN  
IN INCHES, THIRD ANGLE PROJECTION.

DRAWN BY TMSA

DATE 9-21-05

SCALE NONE

SEE TABLE

DRAWING NO. GB0239LV

DWG SIZE A

REV	DATE	BY	CHK	DESCRIPTION	ECN	R	CUST	SUP
00C	8-31-11	LEF	JVL	NUMBER TV105-1.25 OBSOLETE	GB0239LV	00C	RAMI	
00B	10-22-09	TMSA		REVISED TO TEAMCENTER REVISION STANDARDS ADDED PART NUMBER TV105-1.25	GB0239LV	00B		
1	11/10/05	TMSA		REVISED VOLTAGE RATING FOR TV105-.38, TV105-.50, TV105-.75, & TV105-1.0	GB0239LV	1		
R	9-21-05	TMSA		INITIAL RELEASE	GB0239LV	R		
REV	DATE	BY	CHK	DESCRIPTION	ECN	R	CUST	SUP